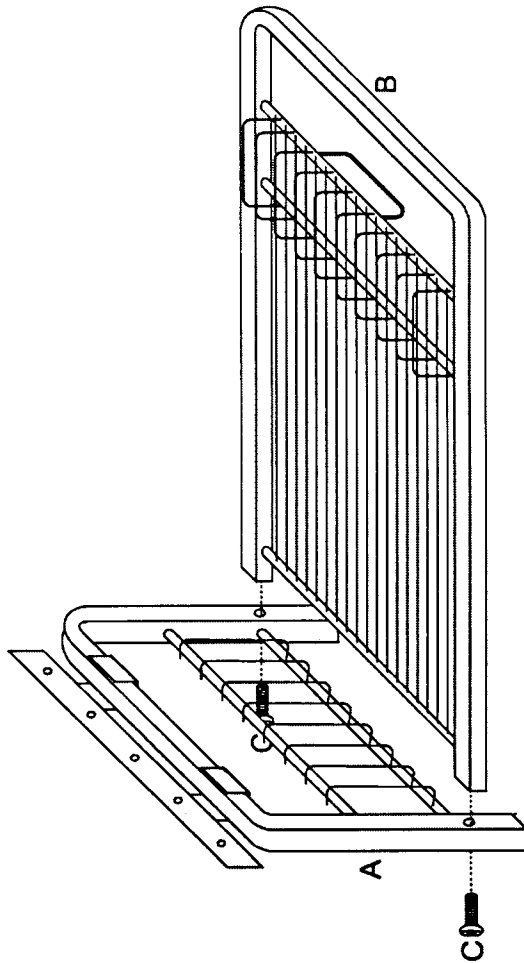
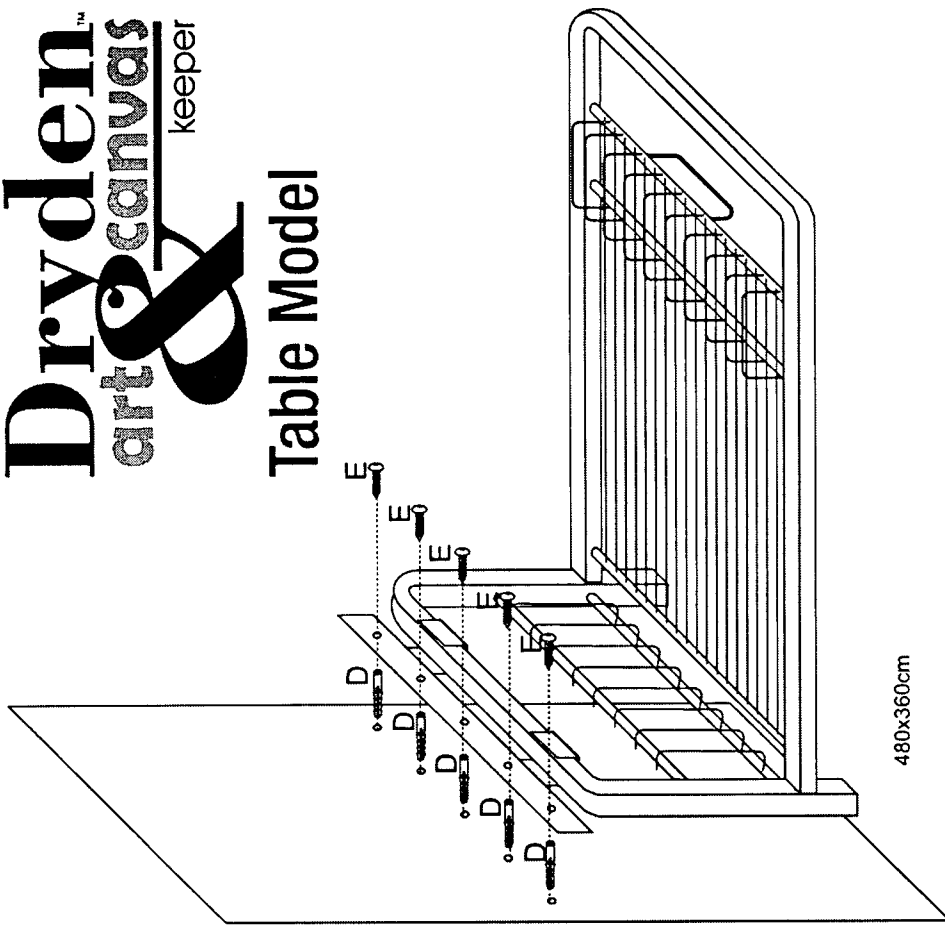
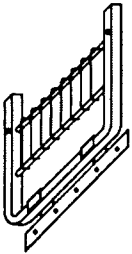
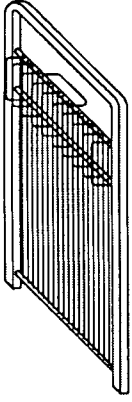
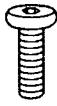


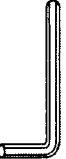


Table Model



 <p>48x21.5CM AX1PC</p>	 <p>48x36CM Bx1PC</p>	 <p>6x35mm Cx2PCS</p>	 <p>Dx5PCS</p>	 <p>5x20mm Ex5PCS</p>	 <p>Fx1PC</p>
---	---	---	--	---	---